

Technical proposal for JX-CC3-1900M2620M-70NH Cavity Combiner

- ◆ Low Insertion Loss
- ◆ High Rejection
- ◆ High Reliability

Revision History

Version	Date	Author	Revision description	Comment
V1.0	2018/12/29	Sam Chen	Created	/
V1.1	2019/01/16	Sam Chen	Update mounting hole	/

JING XIN MICROWAVE TECHNOLOGY CO.,LTD

E-mail: sales@cdjx-mw.com Web: <http://www.cdjx-mw.com>

TEL: +86-28-85026087 FAX: +86-28-65941390 Zip Code:610045

Add: No.65,West 1st Wu Ke Road, Wu Hou District, Cheng Du City, Si Chuan Province, China.

Table of content

Technical proposal for JX-CC3-1900M2620M-70NH Cavity Combiner	1
1. Mechanical layout.....	3
2. Electrical analysis.....	4
2.1 Schematic diagram of the Combiner.....	4
2.2 Electrical specifications	4
2.3 The simulation curve	5

Figures

Figure 1 JX-CC3-1900M2620M-70NH front panel layout	3
Figure 2 Topology of the Combiner	4
Figure 3 The simulation curve of the combiner	5

Tables

Table 1 Mechanical Specifications @ JX-CC3-1900M2620M-70NH	3
Table 2 Electrical specifications @ JX-CC3-1900M2620M-70NH	4

JING XIN MICROWAVE TECHNOLOGY CO.,LTD

E-mail: sales@cdjx-mw.com Web: <http://www.cdjx-mw.com>

TEL: +86-28-85026087 FAX: +86-28-65941390 Zip Code:610045

Add: No.65,West 1st Wu Ke Road, Wu Hou District, Cheng Du City, Si Chuan Province, China.

1. Mechanical layout

Table 1 Mechanical Specifications @ JX-CC3-1900M2620M-70NH

Dimension	LxWxH: 155mm x 90mm x 34mm (40.0mm Max)
Port connectors	Com: N-Female TD1900;TD2300;TD2600:SMA-Female
Finish	Ct.Ocd
Notes	Material shall be RoHS 6/6

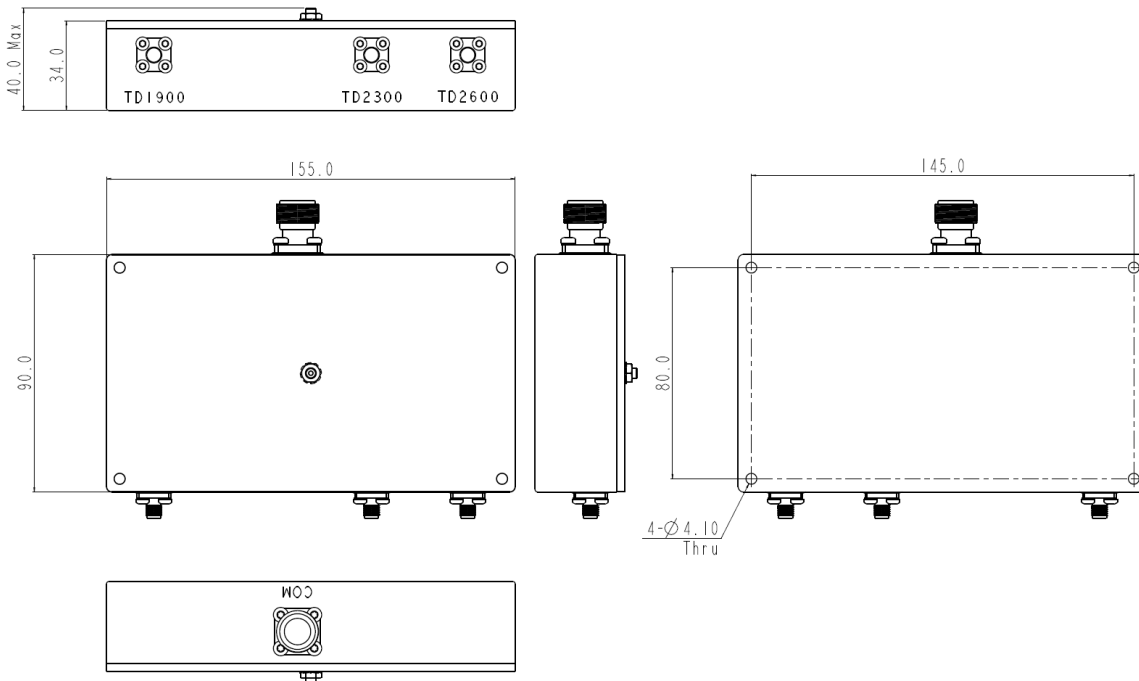


Figure 1 JX-CC3-1900M2620M-70NH front panel layout

JING XIN MICROWAVE TECHNOLOGY CO.,LTD

E-mail: sales@cdjx-mw.com Web: <http://www.cdjx-mw.com>

TEL: +86-28-85026087 FAX: +86-28-65941390 Zip Code:610045

Add: No.65,West 1st Wu Ke Road, Wu Hou District, Cheng Du City, Si Chuan Province, China.

2. Electrical analysis

2.1 Schematic diagram of the Combiner

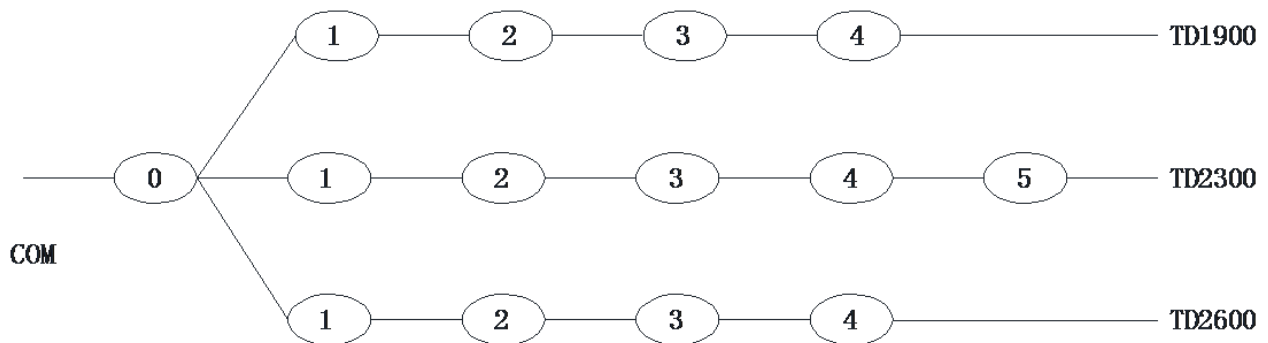


Figure 2 Topology of the Combiner

2.2 Electrical specifications

Table 2 Electrical specifications @ JX-CC3-1900M26200M-70NH

Item	Parameter	TD1900	TD2300	TD2600
1	Frequency range	1900-1920MHz	2300-2400MHz	2570-2620MHz
2	Insertion loss	≤0.5dB		
3	Ripple	≤0.5dB		
4	Return loss	≥18dB		
5	Rejection	≥70dB @ Between bands		
6	Power	Com: 300W; TD1900;TD2300;TD2600: 100W		
7	Impedance	50Ω		

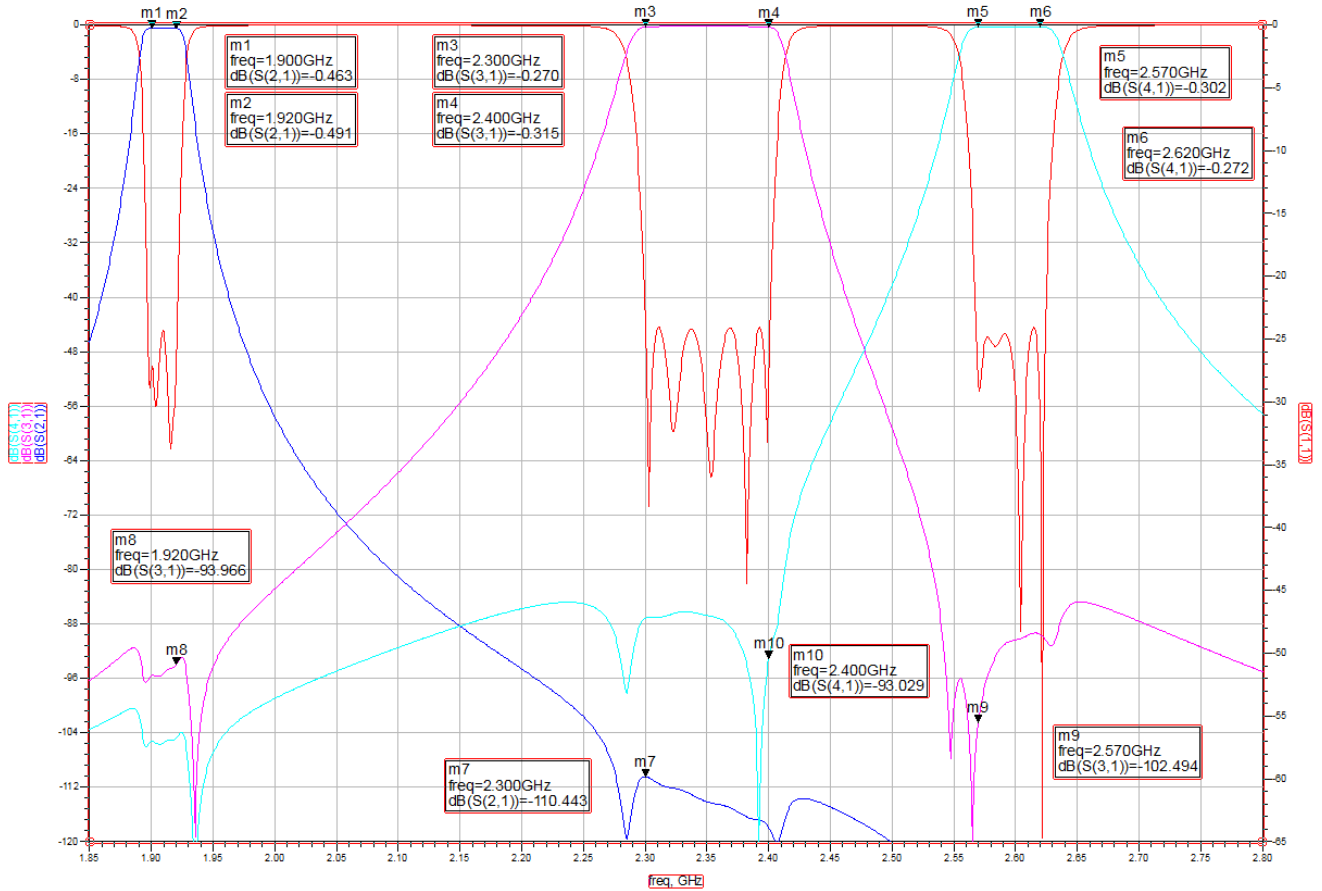
JING XIN MICROWAVE TECHNOLOGY CO.,LTD

E-mail: sales@cdjx-mw.com Web: <http://www.cdjx-mw.com>

TEL: +86-28-85026087 FAX: +86-28-65941390 Zip Code:610045

Add: No.65,West 1st Wu Ke Road, Wu Hou District, Cheng Du City, Si Chuan Province, China.

2.3 The simulation curve



JING XIN MICROWAVE TECHNOLOGY CO.,LTD

E-mail: sales@cdjx-mw.com Web: <http://www.cdjx-mw.com>

TEL: +86-28-85026087 FAX: +86-28-65941390 Zip Code:610045

Add: No.65,West 1st Wu Ke Road, Wu Hou District, Cheng Du City, Si Chuan Province, China.